



Product availability: Non-Stock - Not normally stocked in distribution facility



## Main

Range of Product	Modicon STB distributed I/O solution
Product or Component Type	Standard analog input kit
Kit composition	STBXBA1000 base STBXTS1100, 6-terminal screw type connector STBAVI1270 module STBXTS2100, 6-terminal spring clamp connector
Analogue input type	Voltage +/- 10 V
Analogue input number	2
Analogue input resolution	11 bits + sign
Type of filter	Single low pass input filter 25 Hz

## Complementary

Absolute maximum input	50 V DC
Response Time	5 ms
Cold swapping	Yes
Hot swapping fallback	Yes for standard NIMs
Fallback status	State 0 basic NIMs User configurable standard NIMs
Data format	IEC 61131-2 EN 61131-2
Update time	10 Ms
Integral linearity	+/- 0.2 %FS
Differential linearity	Monotonic
Input impedance	400 kOhm
Maximum supply current for sensors	100 MA per input channels
Protection Type	Short-circuit protection
Maximum source impedance	1 KOhm
Absolute accuracy error	+/- 0.5 % of full scale 25 °C
Temperature Drift	+/-0.01 %/°C
Insulation between channels and logic bus	1500 V for 1 minute
Insulation between channels and sensor bus	30 V

Addressing requirement	4 input words
Product Compatibility	Mounting base STBXBA1000 Power distribution module STBPDT3100/3105
[Us] rated supply voltage	24 V DC
Supply	Power distribution module
Current consumption	30 mA 5 V DC logic bus
Marking	CE
Overvoltage category	II
Status LED	Module status (RDY) 1 LED Green) Module error (ERR) 1 LED Red)
Net Weight	0.25 Lb(US) (0.115 kg)

## Environment

Product Certifications	CSA C-tick UL ATEX Cat 3G FM Class 1 Division 2
Pollution degree	2 IEC 60664-1
Operating altitude	<= 6561.68 ft (2000 m)
IP degree of protection	IP20 conforming to EN 61131-2 class 1
Ambient Air Temperature for Operation	32...140 °F (0...60 °C)
Ambient air temperature for operation	32...140 °F without derating
Ambient air temperature for storage	-40...185 °F (-40...85 °C) without derating
Ambient air temperature for storage	-40...185 °F without derating
Relative humidity	95 % 140 °F (60 °C) without condensation
Vibration resistance	+/-0.35 mm 10...58 Hz 3 gn 58...150 Hz 35 x 7.5 mm symmetrical DIN rail 5 gn 58...150 Hz 35 x 15 mm symmetrical DIN rail
Shock resistance	30 gn 11 ms IEC 88 reference 2-27

## Ordering and shipping details

Category	18215 - ADVANTYS STB I/O
Discount Schedule	PC32
GTIN	03595863988918
Nbr. of units in pkg.	1
Package weight(Lbs)	4.87 Oz (138 g)
Returnability	No
Country of origin	ID

## Packing Units

Unit Type of Package 1	PCE
Package 1 Height	0.98 In (2.5 cm)
Package 1 width	3.15 In (8 cm)
Package 1 Length	5.12 In (13 cm)

## Offer Sustainability

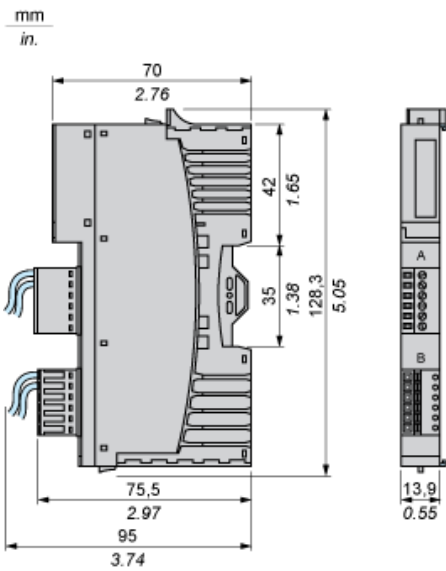
Sustainable offer status	Green Premium product
California proposition 65	WARNING: This product can expose you to chemicals including: Lead and lead compounds, which is known to the State of California to cause cancer and birth defects or other reproductive harm. For more information go to <a href="http://www.P65Warnings.ca.gov">www.P65Warnings.ca.gov</a>
REACH Regulation	<a href="#">REACH Declaration</a>
EU RoHS Directive	Pro-active compliance (Product out of EU RoHS legal scope) <a href="#">EU RoHS Declaration</a>
Mercury free	Yes

RoHS exemption information	<a href="#">Yes</a>
China RoHS Regulation	<a href="#">China RoHS Declaration</a>
Environmental Disclosure	<a href="#">Product Environmental Profile</a>
Circularity Profile	<a href="#">End Of Life Information</a>
WEEE	The product must be disposed on European Union markets following specific waste collection and never end up in rubbish bins.

### Contractual warranty

Warranty	18 months
----------	-----------

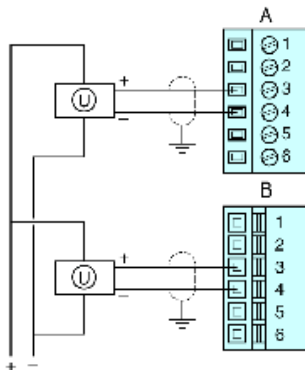
Dimensions



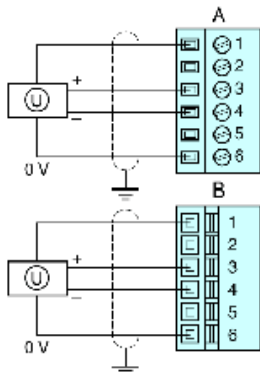
Wiring Diagrams

Examples

2 isolated analog sensors, external 24 VDC power supply



2 non-isolated analog sensors, 24 VDV supplied by the PDM



Pin	Top Connections	Bottom Connections
1	+24 VDC from field power bus for field device accessories	+24 VDC from field power bus for field device accessories
2	no connection	no connection
3	input from sensor 1	input from sensor 2
4	analog input return	analog input return
5	no connection	no connection
6	field power return (to the module)	field power return (to the module)

Product Life Status : **Commercialised**